



(水車類
AERATOR)

(水車類)
AERATOR

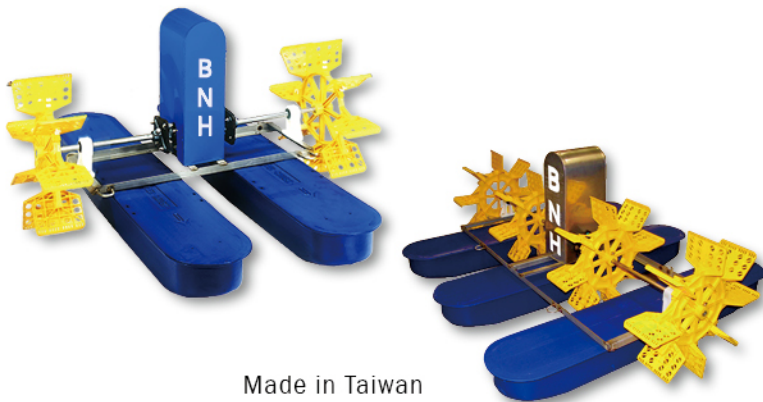




Paddle Wheel Aerator

BNH Paddle Wheel Aerator offer pond aeration for increase dissolve oxygen, surface aeration create water current for pond and other aeration purposes.

We do provide high quality of products with high efficiency of performance.



Made in Taiwan

◎ Characteristics

- Best Quality Silicon Steel Plate.
- Energy Saving.
- High Oxygenation Performance From Unique Design.
- Sturdy Stainless Steel Frame Ensure Without Any Deformation.
- Easy Maintenance.
- The Unique Aerator Electric Motor Made Under"ISO" System.

BNH Paddle Wheel Aerator with the following features

◎ Features

- High Quality of Electric Induction Motor (ISO Standard) .
- Low Friction coefficient of Speed Reducer (ISO Standard) .
- Strong and Durable Worm gear Design (CNS Standard) .
- Smooth Rotation with low resistance to Output Shaft to decrease energy consumption.
- Professional designed paddle and best blade angle and substantial water splash and strong water.
- High performance Nylon Impeller.
- Replaceable Paddle and low maintenance cost.
- High Oxygenation performance.
- Made of Stainless 304 for the Framing materials and Shaft.
- HDPE Float and Highly Durable.

◎ Note

- Manufacturer preserves the rights to change specification without prior notice.

(水車類
AERATOR)

(水車類)
AERATOR





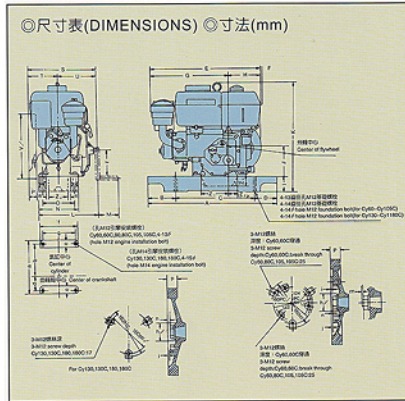
AQUACULTURE
FEED & EQUIPMENT

PRODUCT #
M00200
M00300
M00320

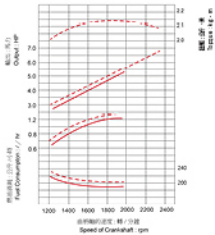
鐵牛頭柴油引擎 DIESEL ENGINE



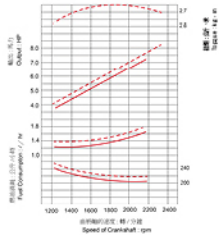
M00200 M00300 M00320
Made In Taiwan



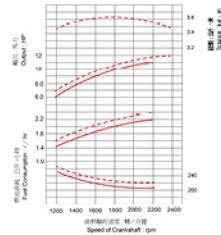
A	B	C	D	E	F	G	H	I	J	K	L	M	N	O	P	Q	R	S	T	U	V	W	X	Y	Z
67	84	92	100	110	120	130	140	150	160	170	180	190	200	210	220	230	240	250	260	270	280	290	300	310	320



M00200



M00300



M00320

產品名稱 規格

ZONAL DIESEL ENGINE (四衝程臥式柴油引擎)

產品編號	型號	汽缸內徑行程	排氣量	馬力	耗油量	冷卻系統	油箱容量	機油容量	冷卻水容量	淨重
Product #	Item #	BORE * STROKE	STROKE VOLUME	HP	CONSUMPTION	COOLING SYSTEM	FUEL TANK CAPACITY	OIL CAPACITY	COOLING WATER CAPACITY	NET WEIGHT
M00200	CY60R	75*75(MM)	331 (C.C.)	6	210	散熱水箱	6.5	1.7	2.2	67
M00300	CY80R	80*85(MM)	427 (C.C.)	8	210	散熱水箱	9.5	2.2	2.5	84
M00320	CY120R	88*90(MM)	631 (C.C.)	12	210	散熱水箱	10	3.0	2.7	92

Note: All data subject to alteration without notice. (上述產品規格如有變動, 恕不另行通知。)

(水車類)
AERATOR

